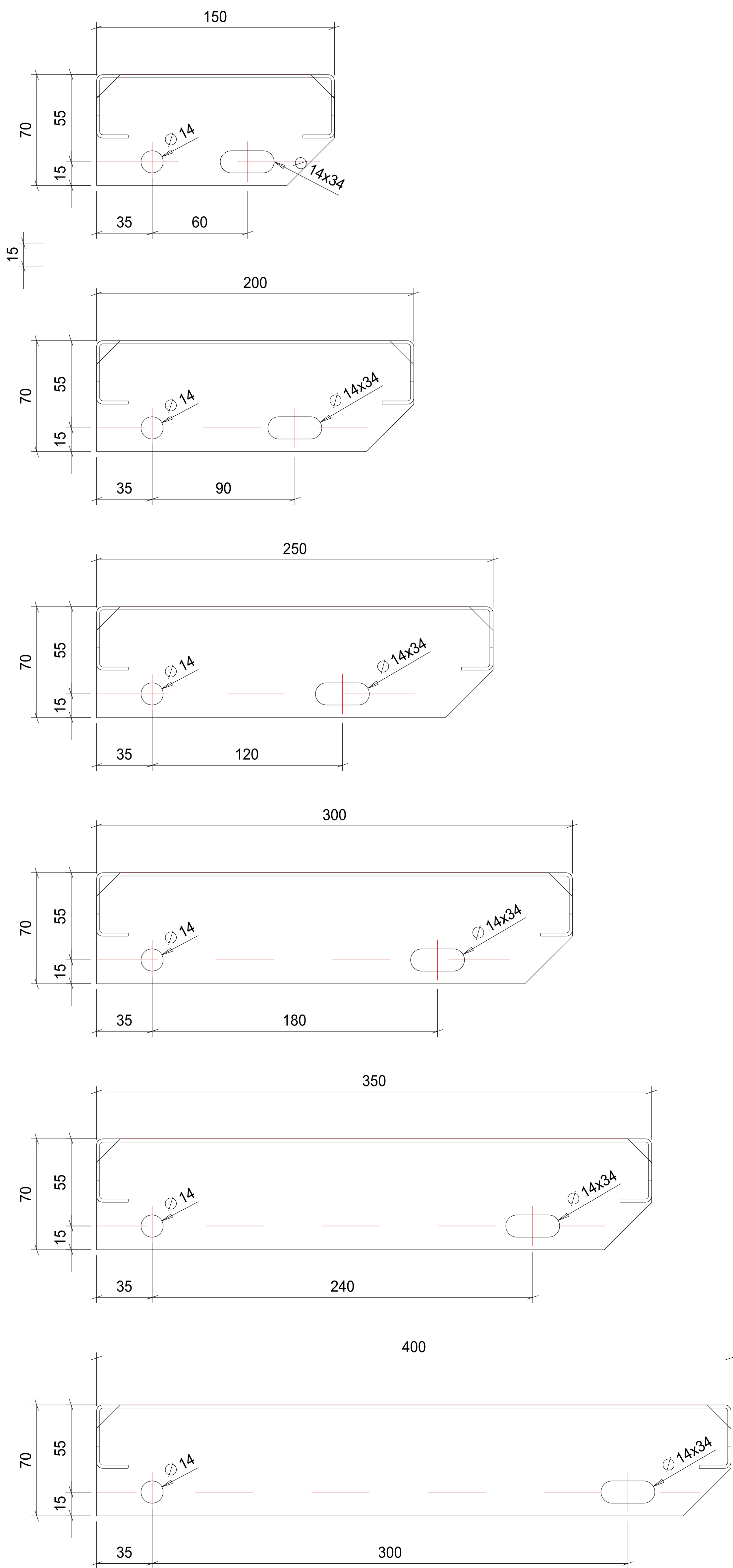


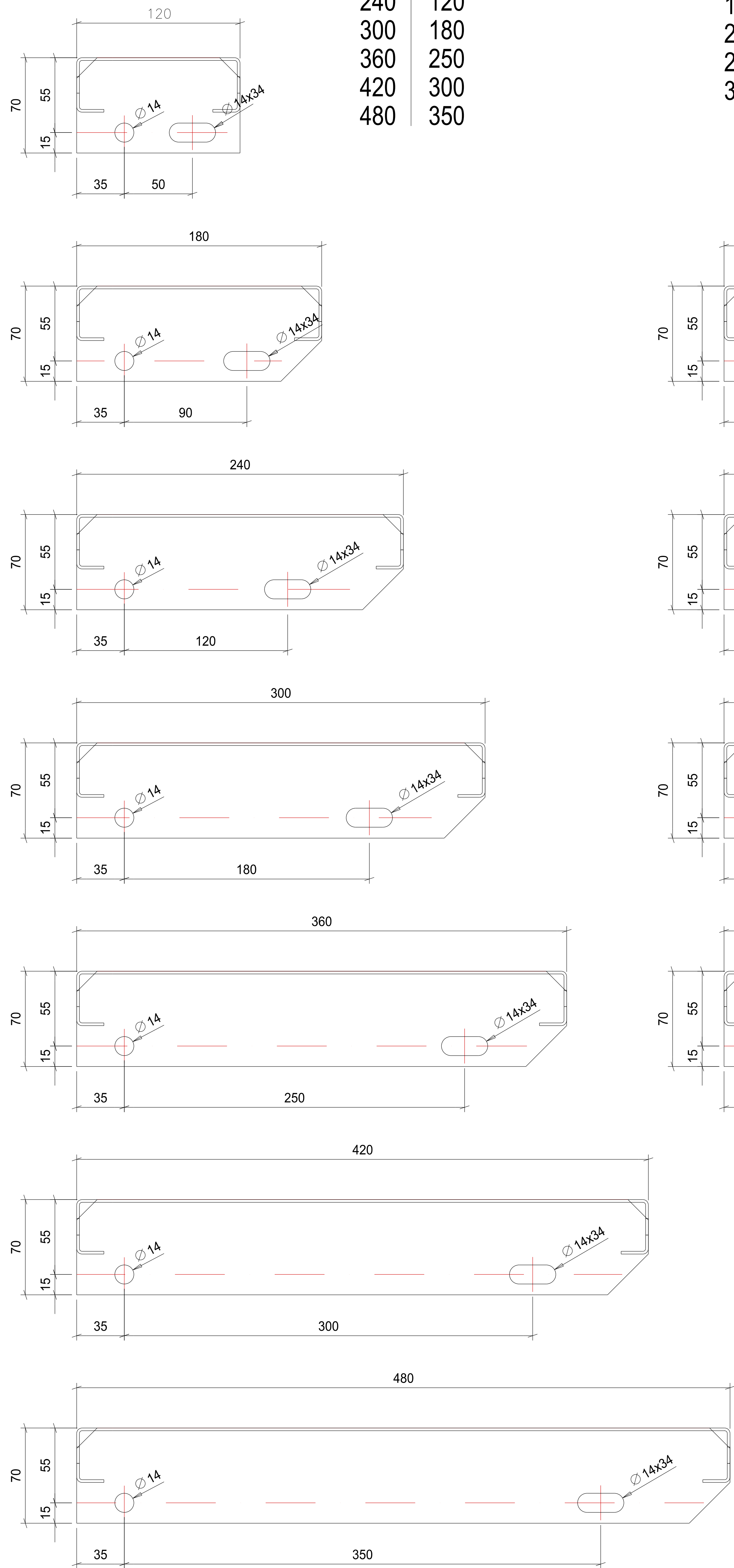
TYPE: AP RUN,
AP OFF, AP GES

150	60
200	90
250	120
300	180
350	240
400	300



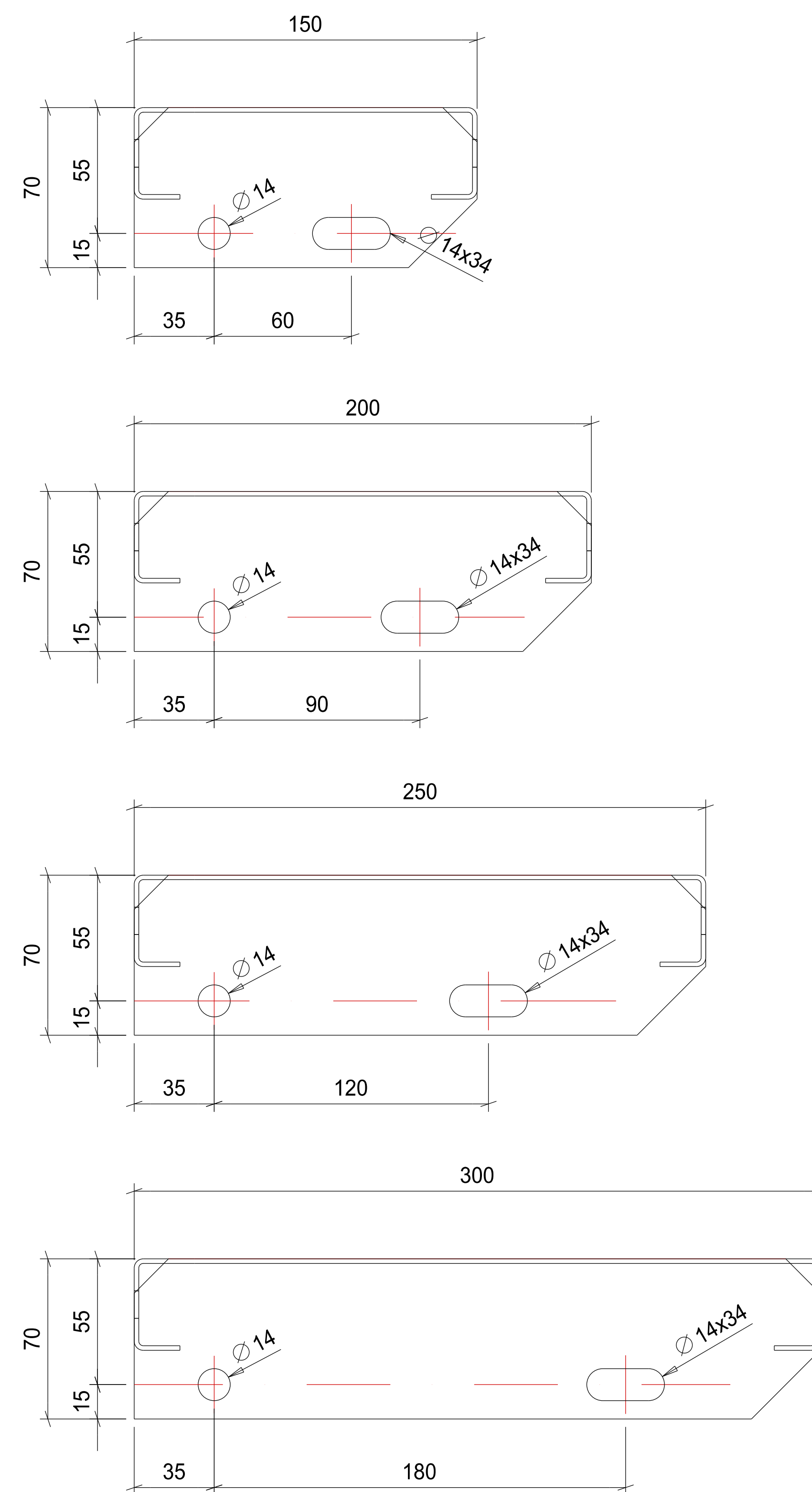
TYPE: AP SER

120	50
180	90
240	120
300	180
360	250
420	300
480	350

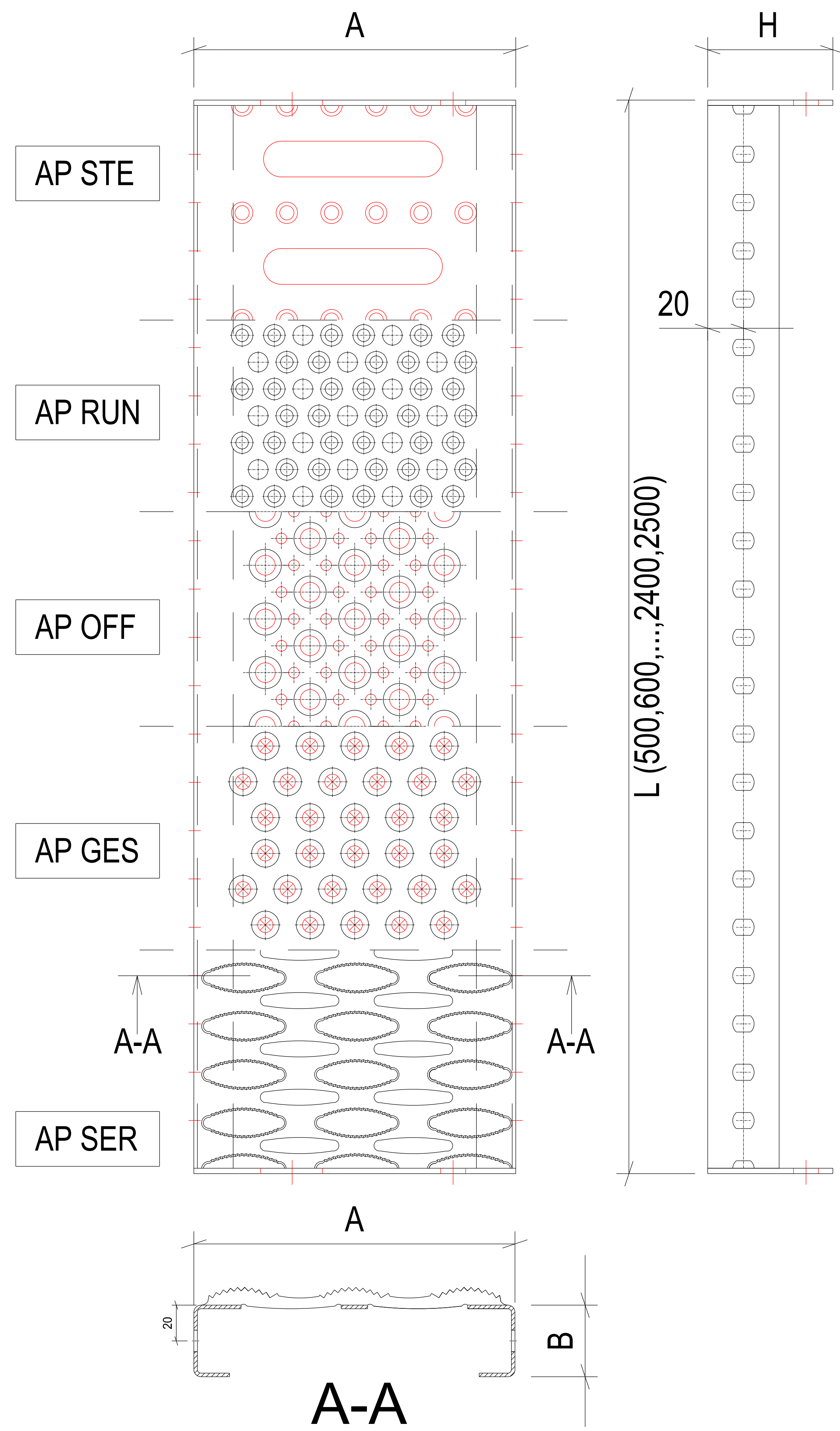


TYPE: AP STE

150	60
200	90
250	120
300	180



B	H
40	70
50	70
75	75



General Details		All tolerances are in accordance with Staco documentation unless otherwise state	
	Bearing bar dir.	Tolerances for cut outs +8/-0mm	
	Non skid nosing	Tolerances for grids +0/-4mm	
	Kickplate		
	Extra support		
D			
C			
B			
A			
rev.	Revision date:	Remark	Reference drawing
STACO		Montageplatten/ side plates Treads Type AP	
EUROPE		Client:	
CUST. ORD.		Scale	
Drawn		form.	Drawing not sheet
Date			
C.A.D.	drawing (Microstation)	Projection	